



Ver detalles del producto en Medias

11.11.2025, 14:47:10 WET

SCHAEFFLER

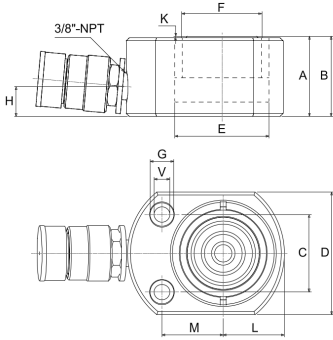


NSLS-1500 [🔗](#)

Hydraulic cylinder, 700 bar

BETEX NSLS Flat cylinder, single-acting,
spring return, 150T class

Información técnica



Variante de su producto actual

Series	NSLS	Flat cylinder
\$(category.parentCategoryDescription)	150T	Capacity class 150

Datos técnicos

	150	Capacity class (tons)
s_p	17 mm	Stroke
F_a	1.496 kN	Advance force, max.
P_{max}	700 bar	Presión máxima de funcionamiento
V_{oil}	363 cm ³	Oil capacity
A	100 mm	Height, retracted
B	117 mm	Height, extended
C	117 mm	Distance fixing holes
D	195 mm	Diámetro exterior
E	165 mm	Cylinder bore diameter
F	115 mm	Plunger diameter
H	23 mm	Base to advance port
K	2 mm	Saddle protrusion from plunger
L	97,5 mm	
M	85 mm	
V	13,5 mm	[Ø]
G	20,5 mm	[Ø]
$\approx m$	27 kg	Peso

Información adicional

Hard chrome plated and hardened piston, Rolled inside of cylinder, Sandblasted outside with black nitride coating, Coupling with dust cap	Product specifics
--	-------------------