



Ver detalles del producto en Medias

11.11.2025, 14:47:11 WET

SCHAEFFLER



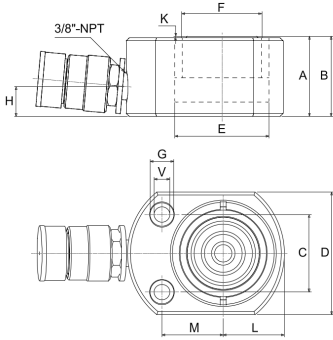
### **NSLS-200** [↗](#)

Hydraulic cylinder, 700 bar

BETEX NSLS Flat cylinder, single-acting,  
spring return, 20T class

#### Información técnica

---



### Variante de su producto actual

Series	NSLS	Flat cylinder
\$(category.parentCategoryDescription)	20T	Capacity class 20

### Datos técnicos

	20	Capacity class (tons)
$s_p$	12 mm	Stroke
$F_a$	198 kN	Advance force, max.
$P_{max}$	700 bar	Presión máxima de funcionamiento
$V_{oil}$	34 cm <sup>3</sup>	Oil capacity
A	51 mm	Height, retracted
B	63 mm	Height, extended
C	49,3 mm	Distance fixing holes
D	78 mm	Diámetro exterior
E	60 mm	Cylinder bore diameter
F	50,8 mm	Plunger diameter
H	19 mm	Base to advance port
K	1 mm	Saddle protrusion from plunger
L	39 mm	
M	39 mm	
V	10 mm	[Ø]
G	15 mm	[Ø]
$\approx m$	2,6 kg	Peso

### Información adicional

Hard chrome plated and hardened piston, Rolled inside of cylinder, Sandblasted outside with black nitride coating, Coupling with dust cap	Product specifics
--	-------------------