



Ver detalles del producto en Medias

11.11.2025, 14:47:13 WET

SCHAEFFLER



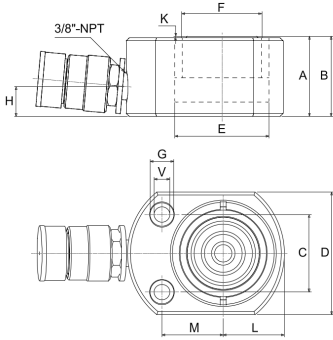
### **NSLS-50** [↗](#)

Hydraulic cylinder, 700 bar

BETEX NSLS Flat cylinder, single-acting,  
spring return, 5T class

#### Información técnica

---



### Variante de su producto actual

Series	NSLS	Flat cylinder
\$(category.parentCategoryDescription)	5T	Capacity class 5

### Datos técnicos

	5	Capacity class (tons)
$s_p$	6 mm	Stroke
$F_a$	52,8 kN	Advance force, max.
$P_{max}$	700 bar	Presión máxima de funcionamiento
$V_{oil}$	4,5 cm <sup>3</sup>	Oil capacity
A	33 mm	Height, retracted
B	39 mm	Height, extended
C	28,5 mm	Distance fixing holes
D	44 mm	Diámetro exterior
E	31 mm	Cylinder bore diameter
F	25,4 mm	Plunger diameter
H	16 mm	Base to advance port
K	1 mm	Saddle protrusion from plunger
L	22 mm	
M	22 mm	
V	5,3 mm	[Ø]
G	9,5 mm	[Ø]
$\approx m$	0,7 kg	Peso

### Información adicional

Hard chrome plated and hardened piston, Rolled inside of cylinder, Sandblasted outside with black nitride coating, Coupling with dust cap	Product specifics
---	-------------------