



Ver detalles del producto en Medias

11.11.2025, 14:47:15 WET

SCHAEFFLER

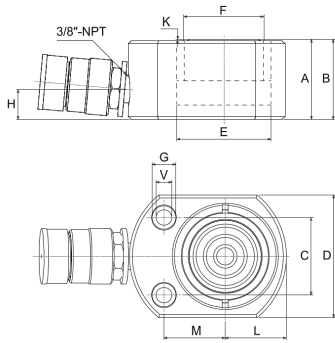


NSLS-750 [↗](#)

Hydraulic cylinder, 700 bar

BETEX NSLS Flat cylinder, single-acting,
spring return, 75T class

Información técnica



Variante de su producto actual

Series	NSLS	Flat cylinder
\$(category.parentCategoryDescription)	75T	Capacity class 75

Datos técnicos

	75	Capacity class (tons)
s_p	16 mm	Stroke
F_a	791 kN	Advance force, max.
P_{max}	700 bar	Presión máxima de funcionamiento
V_{oil}	180 cm ³	Oil capacity
A	79 mm	Height, retracted
B	95 mm	Height, extended
C	76,2 mm	Distance fixing holes
D	145 mm	Diámetro exterior
E	120 mm	Cylinder bore diameter
F	82,5 mm	Plunger diameter
H	19 mm	Base to advance port
K	2 mm	Saddle protrusion from plunger
L	72,5 mm	
M	70 mm	
V	13,5 mm	[Ø]
G	20,5 mm	[Ø]
$\approx m$	11,3 kg	Peso

Información adicional

Hard chrome plated and hardened piston, Rolled inside of cylinder, Sandblasted outside with black nitride coating, Coupling with dust cap	Product specifics
---	-------------------