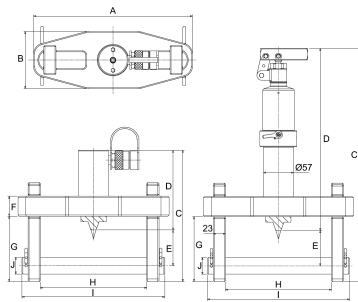


**PFS-10T**

Hydraulic flange spreader

BETEX PFS, for spreading flanges

Información técnica



Variante de su producto actual

Version	SP	Single product

Datos técnicos

	10	Capacity class (tons)
	51 mm	Stroke cylinder
	73 cm ³	Oil capacity
H	104 – 216	Flange Thickness (mm)
J	Ø 31,75 mm	Stud size
	3,3 – 28,7	Standard wedge (mm)
A	300 mm	
B	108 mm	
C	248 mm	
D	151 mm	
E	67 mm	
F	37,5 mm	
G	123,5 mm	
I	285 mm	
≈m	12,8 kg	Peso



Información adicional

Safe and easy spreading of flanges, with safety block to hold the spread when the spreader is removed

Product specifics

for industrial maintenance and repair jobs

Usability

Flange spreader, stepped safety block

Delivery scope