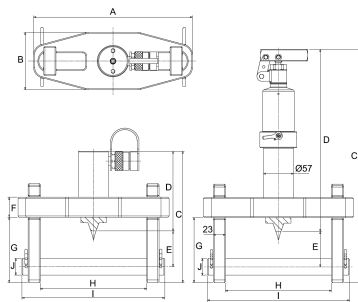


**PFS-10T-I**

## Hydraulic flange spreader

BETEX PFS-I for spreading flanges, with integrated hand pump

## Información técnica



## Variante de su producto actual

Version	SP	Single product

## Datos técnicos

	10	Capacity class (tons)
	51 mm	Stroke cylinder
	73 cm <sup>3</sup>	Oil capacity
H	104 – 216	Flange Thickness (mm)
J	Ø 31,75 mm	Stud size
	3,3 – 28,7	Standard wedge (mm)
A	300 mm	
B	108 mm	
C	442 mm	
D	375 mm	
E	67 mm	
F	37,5 mm	
G	123,5 mm	
I	285 mm	
=m	21,2 kg	Peso



### Información adicional

---

Safe and easy spreading of flanges, with safety block to hold the spread when the spreader is removed

Product specifics

for industrial maintenance and repair jobs

Usability

Flange spreader with integrated pump, stepped safety block, steel box

Delivery scope