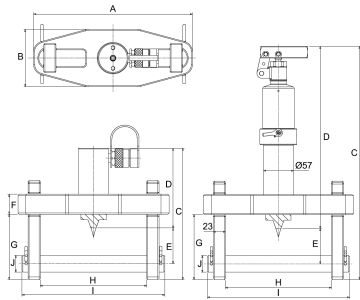


**PFS-10T-SET** [↗](#)

Hydraulic flange spreader

BETEX PFS Set, for spreading flanges

## Información técnica



## Variante de su producto actual

Version	ST	Set

## Datos técnicos

	10	Capacity class (tons)
	51 mm	Stroke cylinder
	73 cm <sup>3</sup>	Oil capacity
H	104 – 216	Flange Thickness (mm)
J	Ø 31,75 mm	Stud size
	3,3 – 28,7	Standard wedge (mm)
A	300 mm	
B	108 mm	
C	248 mm	
D	151 mm	
E	67 mm	
F	37,5 mm	
G	123,5 mm	
I	285 mm	
≈m	23,7 kg	Peso



### Información adicional

---

Safe and easy spreading of flanges, with safety block to hold the spread when the spreader is removed

Product specifics

for industrial maintenance and repair jobs

Usability

1x flange spreader, two-stage hand pump, hose with quick coupling set, stepped safety block, pressure gauge, T-piece, steel box

Delivery scope