

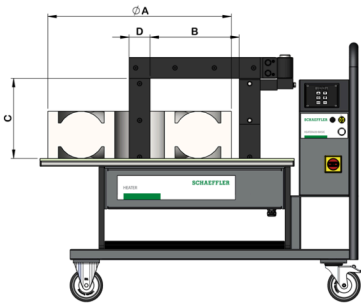


## HEATER400-BASIC-600V-US [↗](#)

Dispositivo de calentamiento inductivo

HEATER basic

### Información técnica



#### Variante de su producto actual

Series	BASIC	Base version
--------	-------	--------------

#### Datos técnicos

U	600 V	Tensión de funcionamiento
f	50 – 60 Hz	Frecuencia
P	12 kVA	Consumo de energía
I	20 A	Valor actual
$\vartheta_{h \max}$	240 °C	Max. heating temperature
	0 – 99 min	Heating time
	Digital	Display
	1	Magnetic probe, quantity
$\approx m$	176 kg	Peso



### Funciones

+	Temperature hold
+	Automatic demagnetization, <2A/cm
+	Swivel arm
—	Log function
—	Delta-T control
+	Temperature control
+	Time control
—	Temperature and time control
—	Temperature and speed control
+	Overheating protection
+	Automatic power reduction
+	Device supports horizontal / lying heating of the workpiece
+	Device supports vertical / hanging heating of the workpiece
+	Device mobile

### Medidas

	1.214 mm	Longitud del HEATER
	560 mm	Anchura del HEATER
	990 mm	Altura del HEATER
B	320 mm	Space between poles
C	305 mm	Pole length
D	80x100	Pole cross section (mm <sup>2</sup> )



### Pieza de trabajo a calentar

	115 mm	Min. inner diameter workpiece, vertical heating: with included yoke
	30 mm	Min. inner diameter workpiece, vertical heating: with optional yoke
	135 mm	Min. inner diameter workpiece, horizontal heating
ØA max	850 mm	Diámetro exterior máx. de la pieza:
	315 mm	Max. workpiece width, vertical heating
	300 mm	Max. workpiece width, horizontal heating
m b max	400 kg	Peso máx. de la pieza

### Información adicional

	1	Yokes included, quantity
	80x80	Yokes included, cross section (mm <sup>2</sup> )