

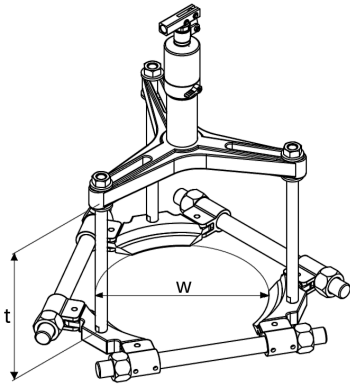


TRI-SECTION-SET-12T [↗](#)

Tri-Section Puller

BETEX Hydraulic puller including tri-section plate for safe, easy dismantling of rolling bearings and other rotative components

Información técnica



Datos técnicos

| | | |
|-------------|--------|-------------------|
| w_{min} | 90 mm | Grip, width, min. |
| w_{max} | 340 mm | Grip width, max. |
| t_{max} | 284 mm | Grip depth, max. |
| F_p | 110 kN | Pulling force |
| $\approx m$ | 68 kg | Peso |

Información adicional

Integrated pump-cylinder unit,
360° adjustable handle,
tri-section plate,
crossbar,
connection rods,
steel storage case

Scope of delivery