

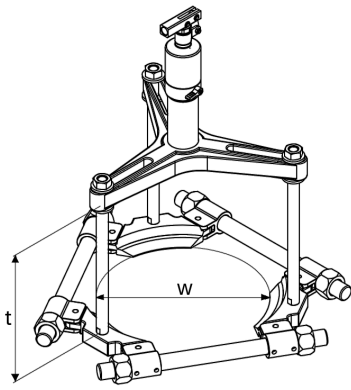


## TRI-SECTION-SET-4T [↗](#)

### Tri-Section Puller

BETEX Hydraulic puller including tri-section plate for safe, easy dismantling of rolling bearings and other rotative components

## Información técnica



### Datos técnicos

$w_{min}$	30 mm	Grip, width, min.
$w_{max}$	160 mm	Grip width, max.
$t_{max}$	211 mm	Grip depth, max.
$F_p$	35 kN	Pulling force
$\approx m$	20 kg	Peso

### Información adicional

Integrated pump-cylinder unit,  
360° adjustable handle,  
tri-section plate,  
crossbar,  
connection rods,  
steel storage case

Scope of delivery