

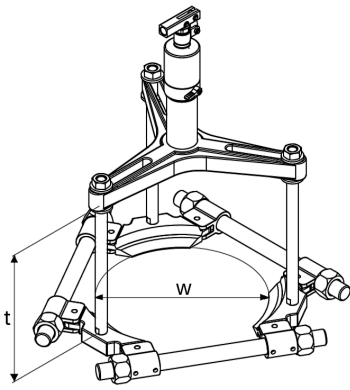


TRI-SECTION-SET-6T [↗](#)

Tri-Section Puller

BETEX Hydraulic puller including tri-section plate for safe, easy dismantling of rolling bearings and other rotative components

Información técnica



Datos técnicos

w_{min}	50 mm	Grip, width, min.
w_{max}	210 mm	Grip width, max.
t_{max}	243 mm	Grip depth, max.
F_p	55 kN	Pulling force
$\approx m$	30 kg	Peso

Información adicional

Integrated pump-cylinder unit,
360° adjustable handle,
tri-section plate,
crossbar,
connection rods,
steel storage case

Scope of delivery