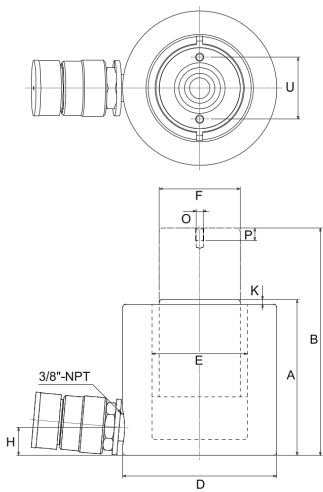


**NSCS-1002** [🔗](#)

Hydraulic cylinder, 700 bar

BETEX NSCS Compact cylinder, short stroke, single-acting, spring return, 100T class

Información técnica



Variante de su producto actual

Series	NSCS	Short stroke cylinder
Version	100T	Capacity class 100

Datos técnicos

	100	Capacity class (tons)
s_p	58 mm	Stroke
F_a	1.002 kN	Advance force, max.
P_{max}	700 bar	Presión máxima de funcionamiento
V_{oil}	830 cm ³	Oil capacity
A	146,5 mm	Height, retracted
B	204,5 mm	Height, extended
D	165 mm	Diámetro exterior
E	135 mm	Cylinder bore diameter
F	92 mm	Plunger diameter
H	25 mm	Base to advance port
K	1,5 mm	Piston protrusion
O	M8	Plunger female thread
P	10 mm	Plunger thread length
U	55 mm	Piston mounting holes, bolt circle
$\approx m$	22,7 kg	Peso



Información adicional

Hard chrome plated and
hardened piston,
Rolled inside of cylinder,
Sandblasted outside
with black nitride coating,
Coupling with dust cap

Product specifics