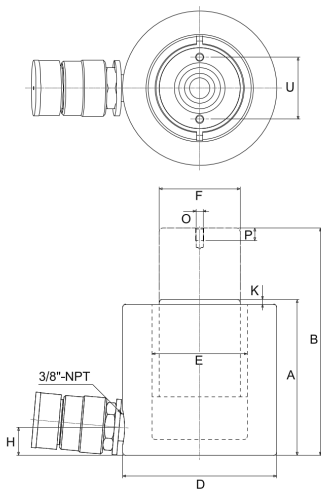


**NSCS-101** [↗](#)

Hydraulic cylinder, 700 bar

BETEX NSCS Compact cylinder, short stroke, single-acting, spring return, 10T class

## Información técnica



## Variante de su producto actual

Series	NSCS	Short stroke cylinder
Version	10T	Capacity class 10

## Datos técnicos

	10	Capacity class (tons)
$s_p$	38 mm	Stroke
$F_a$	101 kN	Advance force, max.
$P_{max}$	700 bar	Presión máxima de funcionamiento
$V_{oil}$	55 cm <sup>3</sup>	Oil capacity
A	88 mm	Height, retracted
B	126 mm	Height, extended
D	78 mm	Diámetro exterior
E	42,8 mm	Cylinder bore diameter
F	38 mm	Plunger diameter
H	17,5 mm	Base to advance port
K	5 mm	Piston protrusion
O	M4	Plunger female thread
P	8 mm	Plunger thread length
U	26 mm	Piston mounting holes, bolt circle
$\approx m$	4,1 kg	Peso



### Información adicional

---

Hard chrome plated and  
hardened piston,  
Rolled inside of cylinder,  
Sandblasted outside  
with black nitride coating,  
Coupling with dust cap

Product specifics