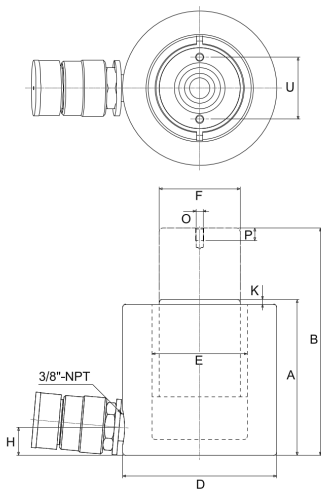


**NSCS-201** [↗](#)

Hydraulic cylinder, 700 bar

BETEX NSCS Compact cylinder, short stroke, single-acting, spring return, 20T class

Información técnica



Variante de su producto actual

Series	NSCS	Short stroke cylinder
Version	20T	Capacity class 20

Datos técnicos

	20	Capacity class (tons)
s_p	45 mm	Stroke
F_a	198 kN	Advance force, max.
P_{max}	700 bar	Presión máxima de funcionamiento
V_{oil}	127 cm ³	Oil capacity
A	98 mm	Height, retracted
B	143 mm	Height, extended
D	97 mm	Diámetro exterior
E	60 mm	Cylinder bore diameter
F	50,8 mm	Plunger diameter
H	17,5 mm	Base to advance port
K	3 mm	Piston protrusion
O	M5	Plunger female thread
P	9 mm	Plunger thread length
U	39 mm	Piston mounting holes, bolt circle
≈m	5 kg	Peso



Información adicional

Hard chrome plated and
hardened piston,
Rolled inside of cylinder,
Sandblasted outside
with black nitride coating,
Coupling with dust cap

Product specifics