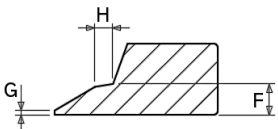
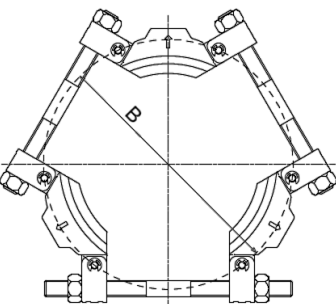
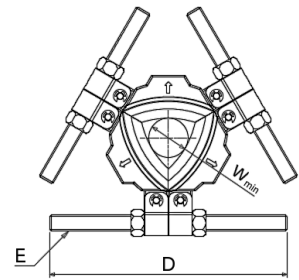
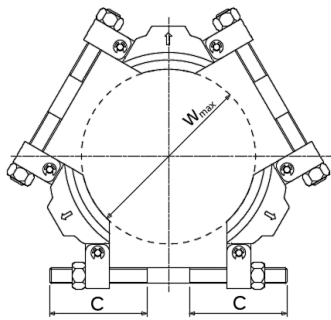


**TRI-SECTION-PLATE-340**

Tri-section extraction plate, Removal tool, mechanical

BETEX Tri-Section-Plate for removing complete bearings or tight fitted inner rings; with good radial and axial access, it offers the possibility of grabbing the inner ring so that the pulling force is not transmitted via moving parts and damage to the bearing is avoided

Información técnica

**Variante de su producto actual**

Series	TSP	Series TSP
--------	-----	------------

Medidas

W min	90 mm	Grip width, min.
W max	340 mm	Grip width, max.
B max	460 mm	
C	175 mm	
D	430 mm	
E	1 1/2"-12UNF	
F	14 mm	
G	2 mm	
H	8 mm	
F Z max	190 kN	Max. permissible pulling force
≈m	18 kg	Peso

Información adicional

in combination with
puller: HP/HSP/HXP
83, 123, 203, HPP
123

Usability



Ver detalles del producto en Medias

11.11.2025, 17:22:38 WET

SCHAEFFLER

