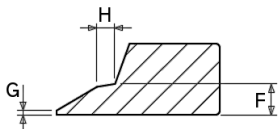
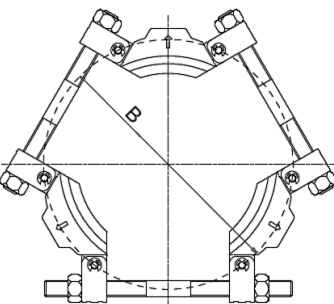
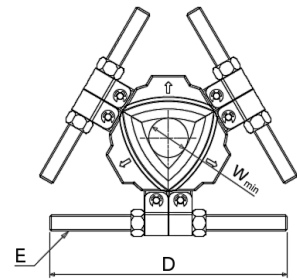
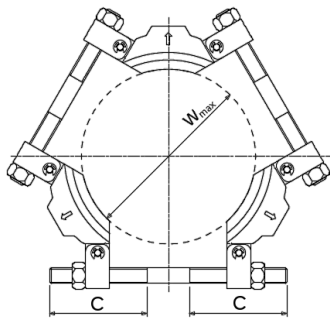


**TRI-SECTION-PLATE-495**

Tri-section extraction plate, Removal tool, mechanical

BETEX Tri-Section-Plate for removing complete bearings or tight fitted inner rings; with good radial and axial access, it offers the possibility of grabbing the inner ring so that the pulling force is not transmitted via moving parts and damage to the bearing is avoided

Información técnica

**Variante de su producto actual**

Series	TSP	Series TSP
--------	-----	------------

Medidas

W min	140 mm	Grip width, min.
W max	495 mm	Grip width, max.
B max	660 mm	
C	235 mm	
D	610 mm	
E	1 1/2"-12UNF	
F	20 mm	
G	2 mm	
H	12 mm	
F _Z max	290 kN	Max. permissible pulling force
≈m	45 kg	Peso

Información adicional

in combination with
puller: HP/HSP/HXP
203, 303

Usability



Ver detalles del producto en Medias

11.11.2025, 17:22:39 WET

SCHAEFFLER

