**LFS52x.x..-OV-500-VBS** [↗](#)**Carril-guía**

solid profile, curved guideway; corrosion-resistant design possible

Información técnica**Variante de su producto actual**

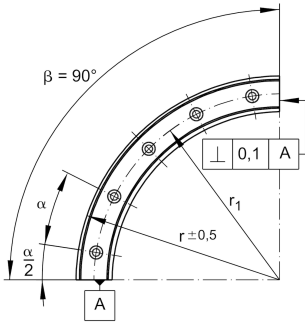
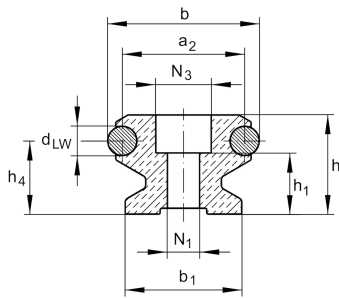
| | | |
|----------------------------|-----|--------------------------------|
| Size code | 52 | |
| Guideway design | OV | Solid profile, curved guideway |
| Radius | 500 | |
| Características especiales | VBS | Rail connector |

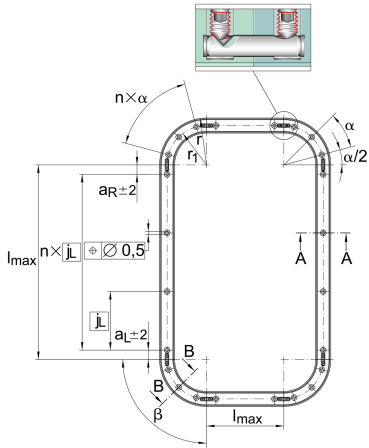
Medidas principales y datos de rendimiento

| | | |
|------------------|----------|----------------|
| h | 34 mm | Height |
| b | 52 mm | Width |
| l _{max} | 6.000 mm | Length maximum |
| r | 500 mm | Radius |
| β | 90 ° | Radian measure |

Medidas de montaje

| | | |
|----------------|-------|---------------|
| N ₁ | 11 mm | Bore diameter |
| N ₃ | 19 mm | Bore diameter |





Medidas

| | | |
|--------------------|--------|----------|
| a ₂ | 42 mm | Distance |
| a _{L max} | 235 mm | Distance |
| a _{L min} | 41 mm | Distance |
| a _{R max} | 235 mm | |
| a _{R min} | 41 mm | |
| b ₁ | 40 mm | Anchura |
| d _{LW} | 10 mm | Diameter |
| h ₁ | 21 mm | Height |
| h ₄ | 25 mm | Height |
| r ₁ | 474 mm | Radius |
| x | 5 | Number |
| α | 18 ° | Angle |