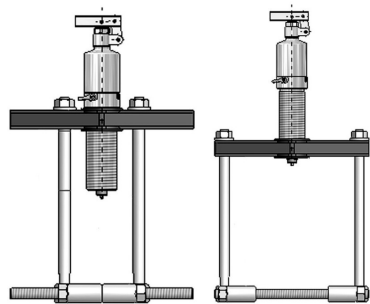
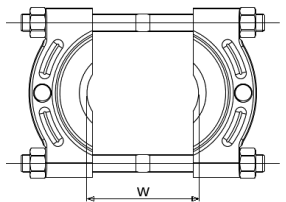
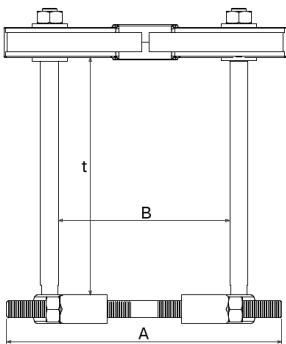


**ACC-SET-HP123-HSP123-HXP123**

Bearing splitter set

BETEX Puller for gentle dismounting of complete bearings, bearing inner rings and other components so that the pulling force is not transmitted via moving parts. The part to be dismounted must be well accessible radial and axial.

Información técnica

**Datos técnicos**

W min	40 mm	Grip width, min.
W max	225 mm	Grip width, max.
t max	298 mm	Grip depth, max.
A	360 mm	
B min	140 mm	
B max	310 mm	
F Z max	110 kN	Max. permissible pulling force
m	21 kg	Peso

Información adicional

with the pump/ cylinder unit of an HP/HSP/HXP puller	Usability
1 puller bridge, 2 connection rods, 1 set puller plates, carrying case	Scope of delivery

