

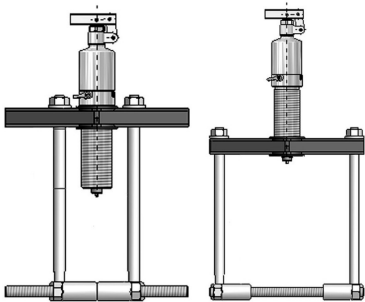
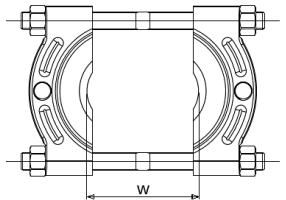
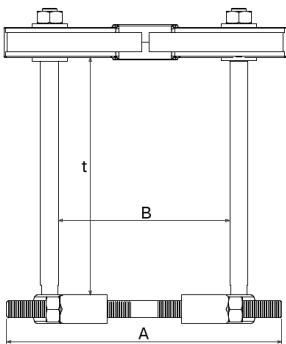


ACC-SET-HP43-HSP43 [↗](#)

Bearing splitter set

BETEX Puller for gentle dismounting of complete bearings, bearing inner rings and other components so that the pulling force is not transmitted via moving parts. The part to be dismounted must be well accessible radial and axial.

Información técnica



Datos técnicos

| | | |
|---------|--------|--------------------------------|
| W min | 12 mm | Grip width, min. |
| W max | 70 mm | Grip width, max. |
| t max | 224 mm | Grip depth, max. |
| A | 163 mm | |
| B min | 100 mm | |
| B max | 145 mm | |
| F Z max | 35 kN | Max. permissible pulling force |
| m | 7,5 kg | Peso |

Información adicional

| | |
|---|-------------------|
| with the pump/ cylinder unit of an HP/HSP puller | Usability |
| 1 puller bridge, 2 connection rods, 1 set puller plates, carrying case | Scope of delivery |

