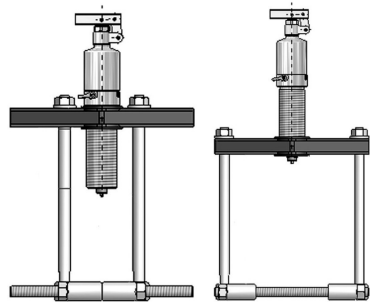
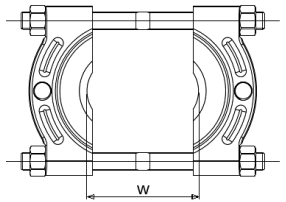
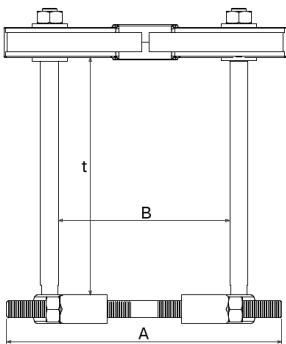


**ACC-SET-HP63-HSP63** [↗](#)

## Bearing splitter set

BETEX Puller for gentle dismounting of complete bearings, bearing inner rings and other components so that the pulling force is not transmitted via moving parts. The part to be dismounted must be well accessible radial and axial.

## Información técnica

**Datos técnicos**

W min	28 mm	Grip width, min.
W max	150 mm	Grip width, max.
t max	255 mm	Grip depth, max.
A	260 mm	
B min	110 mm	
B max	220 mm	
F Z max	55 kN	Max. permissible pulling force
≈m	11,5 kg	Peso

**Información adicional**

with the pump/ cylinder unit of an HP/HSP puller	Usability
1 puller bridge, 2 connection rods, 1 set puller plates, carrying case	Scope of delivery