



IMAGE
COMING SOON

FAG

SPA3260-H-W-Y-BL-D [↗](#)

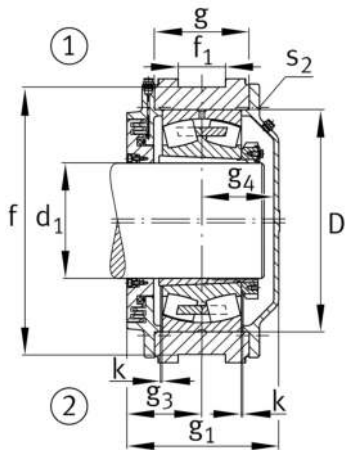
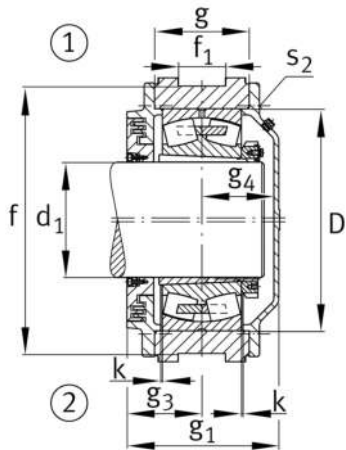
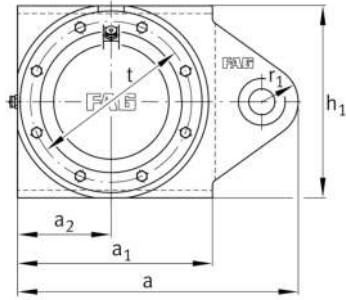
Soporte tensor

Información técnica



Medidas principales y datos de rendimiento

d	280 mm	Shaft diameter
d _c	300 mm	Chamfer diameter
h	690 mm	Height
a	1.200 mm	Length total

**Medidas**

a 1	680 mm	Length guidance groove
a 2	340 mm	Distance shaft axis
g 1	369 mm	Total width with lid
g 2	404 mm	Width total shaft
m	680 mm	Distance fork bore shaft center
r 1	180 mm	Fork radius
x	310 mm	Fork clearance
x 1	140 mm	Fork flange diameter
u	100 mm	Fork boring diameter
p	190 mm	Inner fork width
p 1	270 mm	Outer fork width
f	650 mm	Distance guidance grooves
f 1	115 mm	Width guidance groove
D	540 mm	Outside diameter bearing
k	4 mm	Axial displacement
g	230 mm	Anchura del cuerpo de soporte
g 3	182 mm	Locking collar width
g 4	175 mm	Distance bearing center cover
t	600 mm	Pitch circle diameter holes
s 2	M24	Agujero de fijación roscado
s 2	8	Number of screwing holes

Información adicional

23260..-K	Referencia rodamiento
H3260(-HG)	Manguito de fijación