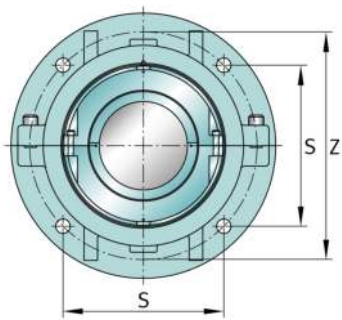


**FAG****S1BCF-211-FL**

Soporte de apoyo

Soporte-bridá

Información técnica

**Medidas principales y datos de rendimiento**

d	≈ 68,263 mm	Shaft diameter
Y	≈ 285,75 mm	Flange outside diameter
K	≈ 130,175 mm	Width
≈m	24,04 kg	Peso

Medidas

	S1BCF-211-HD	Complete unit held
	S1BCF-211-FL	Complete unit float
	FH-4	Housing designation
X	≈ 73,025 mm	Bearing centerline location
Z	≈ 242,887 mm	Bolt circle diameter
S	≈ 171,45 mm	Bolt hole distance
T	≈ 15,875 mm	Thickness of flange
P	≈ 192,087 mm	Pilot counterbore diameter
S	4	# of Mounting Bolts
S	≈ 12,7 mm	Mounting bolt diameter