



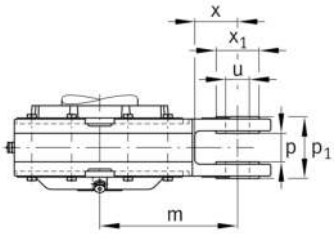
IMAGE
COMING SOON

FAG

SPA3140-H-W-T-BL-D [↗](#)

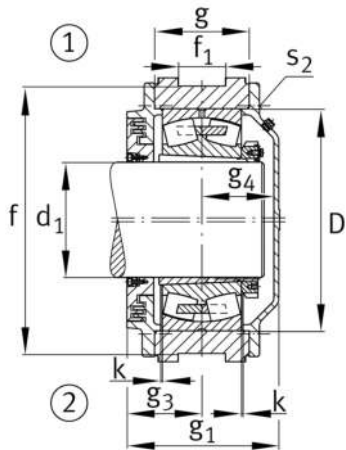
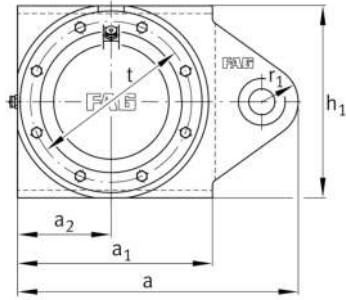
Soporte tensor

Información técnica



Medidas principales y datos de rendimiento

d	180 mm	Shaft diameter
d _c	196 mm	Chamfer diameter
h	440 mm	Height
a	650 mm	Length total

**Medidas**

a 1	420 mm	Length guidance groove
a 2	210 mm	Distance shaft axis
g 1	242 mm	Total width with lid
g 2	278 mm	Width total shaft
m	360 mm	Distance fork bore shaft center
r 1	80 mm	Fork radius
x	140 mm	Fork clearance
x 1	100 mm	Fork flange diameter
u	60 mm	Fork boring diameter
p	70 mm	Inner fork width
p 1	140 mm	Outer fork width
f	410 mm	Distance guidance grooves
f 1	100 mm	Width guidance groove
D	340 mm	Outside diameter bearing
k	3 mm	Axial displacement
g	135 mm	Anchura del cuerpo de soporte
g 3	124 mm	Locking collar width
g 4	108 mm	Distance bearing center cover
t	380 mm	Pitch circle diameter holes
s 2	M16	Agujero de fijación roscado
s 2	8	Number of screwing holes

Información adicional

23140..-K	Referencia rodamiento
H3140(-HG)	Manguito de fijación