



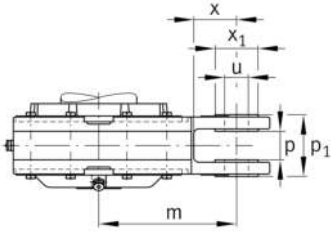
IMAGE
COMING SOON

FAG

SPA2211-H-W-T-AL-D

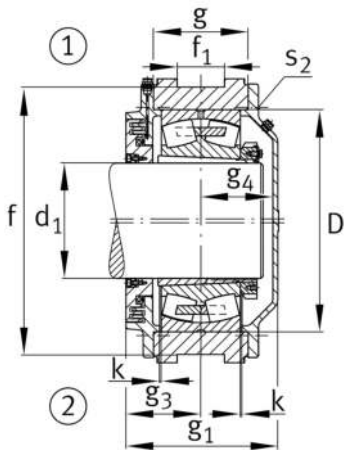
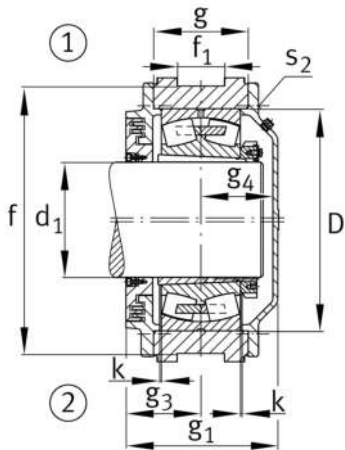
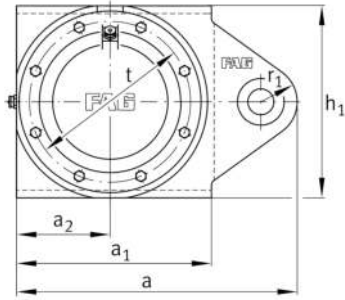
Soporte tensor

Información técnica



Medidas principales y datos de rendimiento

d	50 mm	Shaft diameter
d _c	56 mm	Chamfer diameter
h	150 mm	Height
a	210 mm	Length total

**Medidas**

a 1	150 mm	Length guidance groove
a 2	75 mm	Distance shaft axis
g 1	92,5 mm	Total width with lid
g 2	115 mm	Width total shaft
m	105 mm	Distance fork bore shaft center
r 1	30 mm	Fork radius
x	30 mm	Fork clearance
u	20 mm	Fork boring diameter
p	22 mm	Inner fork width
p 1	42 mm	Outer fork width
f	135 mm	Distance guidance grooves
f 1	34 mm	Width guidance groove
D	100 mm	Outside diameter bearing
k	2 mm	Axial displacement
g	45 mm	Anchura del cuerpo de soporte
g 3	52,5 mm	Locking collar width
g 4	35 mm	Distance bearing center cover
t	130 mm	Pitch circle diameter holes
s 2	M8	Agujero de fijación roscado
s 2	6	Number of screwing holes

Información adicional

22211...-K	Referencia rodamiento
H311	Manguito de fijación