



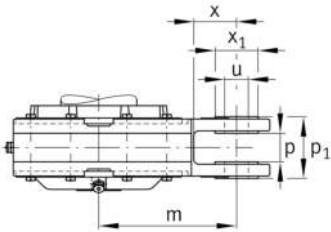
IMAGE  
COMING SOON

**FAG**

## SPA3160-H-W-Y-AL-D [↗](#)

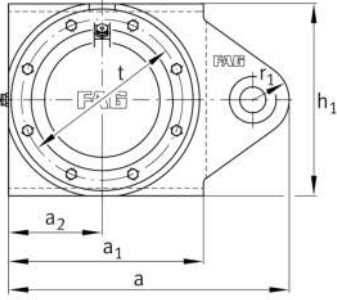
Soporte tensor

### Información técnica



#### Medidas principales y datos de rendimiento

d	280 mm	Shaft diameter
d <sub>c</sub>	300 mm	Chamfer diameter
h	650 mm	Height
a	1.115 mm	Length total

**Medidas**

a 1	630 mm	Length guidance groove
a 2	315 mm	Distance shaft axis
g 1	327 mm	Total width with lid
g 2	385 mm	Width total shaft
m	650 mm	Distance fork bore shaft center
r 1	150 mm	Fork radius
x	310 mm	Fork clearance
x 1	140 mm	Fork flange diameter
u	100 mm	Fork boring diameter
p	170 mm	Inner fork width
p 1	270 mm	Outer fork width
f	610 mm	Distance guidance grooves
f 1	130 mm	Width guidance groove
D	500 mm	Outside diameter bearing
k	4 mm	Axial displacement
g	190 mm	Anchura del cuerpo de soporte
g 3	170 mm	Locking collar width
g 4	143 mm	Distance bearing center cover
t	555 mm	Pitch circle diameter holes
s 2	M24	Agujero de fijación roscado
s 2	8	Number of screwing holes

**Información adicional**

23160..-K	Referencia rodamiento
H3160(-HG)	Manguito de fijación

