



IMAGE
COMING SOON

FAG

SPA2213-H-W-Y-AL-D [↗](#)

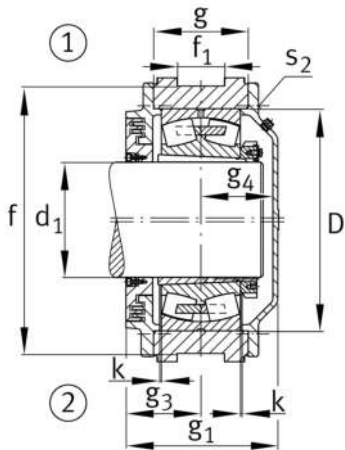
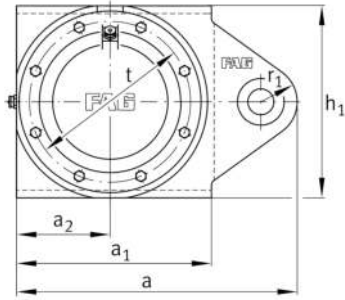
Soporte tensor

Información técnica



Medidas principales y datos de rendimiento

| | | |
|----------------|--------|------------------|
| d | 60 mm | Shaft diameter |
| d _c | 66 mm | Chamfer diameter |
| h | 180 mm | Height |
| a | 265 mm | Length total |

**Medidas**

| | | |
|-----|--------|---------------------------------|
| a 1 | 160 mm | Length guidance groove |
| a 2 | 80 mm | Distance shaft axis |
| g 1 | 134 mm | Total width with lid |
| g 2 | 144 mm | Width total shaft |
| m | 145 mm | Distance fork bore shaft center |
| r 1 | 40 mm | Fork radius |
| x | 65 mm | Fork clearance |
| x 1 | 60 mm | Fork flange diameter |
| u | 30 mm | Fork boring diameter |
| p | 30 mm | Inner fork width |
| p 1 | 66 mm | Outer fork width |
| f | 155 mm | Distance guidance grooves |
| f 1 | 53 mm | Width guidance groove |
| D | 120 mm | Outside diameter bearing |
| k | 2 mm | Axial displacement |
| g | 78 mm | Anchura del cuerpo de soporte |
| g 3 | 72 mm | Locking collar width |
| g 4 | 56 mm | Distance bearing center cover |
| t | 135 mm | Pitch circle diameter holes |
| s 2 | M6 | Agujero de fijación roscado |
| s 2 | 6 | Number of screwing holes |

Información adicional

| | |
|----------|-----------------------|
| 22213.-K | Referencia rodamiento |
| H313 | Manguito de fijación |