



FAG

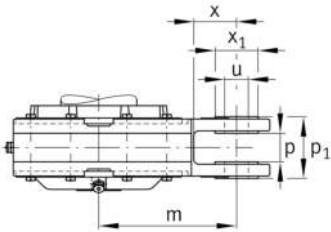
SPA2228-H-W-T-AL-D [↗](#)

Soporte tensor



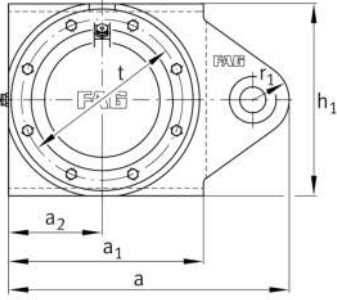
IMAGE
COMING SOON

Información técnica



Medidas principales y datos de rendimiento

d	125 mm	Shaft diameter
d _c	137 mm	Chamfer diameter
h	330 mm	Height
a	445 mm	Length total

**Medidas**

a 1	320 mm	Length guidance groove
a 2	160 mm	Distance shaft axis
g 1	166 mm	Total width with lid
g 2	196 mm	Width total shaft
m	230 mm	Distance fork bore shaft center
r 1	55 mm	Fork radius
x	70 mm	Fork clearance
x 1	70 mm	Fork flange diameter
u	40 mm	Fork boring diameter
p	40 mm	Inner fork width
p 1	76 mm	Outer fork width
f	300 mm	Distance guidance grooves
f 1	53 mm	Width guidance groove
D	250 mm	Outside diameter bearing
k	3 mm	Axial displacement
g	88 mm	Anchura del cuerpo de soporte
g 3	88 mm	Locking collar width
g 4	70 mm	Distance bearing center cover
t	285 mm	Pitch circle diameter holes
s 2	M16	Agujero de fijación roscado
s 2	6	Number of screwing holes

Información adicional

22228..-K	Referencia rodamiento
H3128	Manguito de fijación

