



IMAGE
COMING SOON

FAG

SPA3134-H-W-Y-AL-D [↗](#)

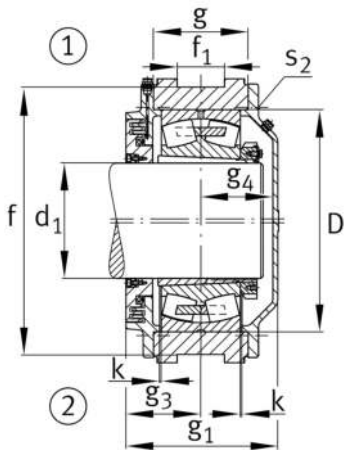
Soporte tensor

Información técnica



Medidas principales y datos de rendimiento

| | | |
|----------------|----------|------------------|
| d | 150 mm | Shaft diameter |
| d _c | 166 mm | Chamfer diameter |
| h | 400 mm | Height |
| a | 672,5 mm | Length total |

**Medidas**

| | | |
|-----|----------|---------------------------------|
| a 1 | 375 mm | Length guidance groove |
| a 2 | 187,5 mm | Distance shaft axis |
| g 1 | 215 mm | Total width with lid |
| g 2 | 250 mm | Width total shaft |
| m | 395 mm | Distance fork bore shaft center |
| r 1 | 90 mm | Fork radius |
| x | 180 mm | Fork clearance |
| x 1 | 100 mm | Fork flange diameter |
| u | 60 mm | Fork boring diameter |
| p | 62 mm | Inner fork width |
| p 1 | 132 mm | Outer fork width |
| f | 370 mm | Distance guidance grooves |
| f 1 | 65 mm | Width guidance groove |
| D | 280 mm | Outside diameter bearing |
| k | 3 mm | Axial displacement |
| g | 120 mm | Anchura del cuerpo de soporte |
| g 3 | 115 mm | Locking collar width |
| g 4 | 92 mm | Distance bearing center cover |
| t | 330 mm | Pitch circle diameter holes |
| s 2 | M12 | Agujero de fijación roscado |
| s 2 | 8 | Number of screwing holes |

Información adicional

| | |
|------------|-----------------------|
| 23134..-K | Referencia rodamiento |
| H3134(-HG) | Manguito de fijación |