



IMAGE
COMING SOON

FAG

SPA3244-H-W-Y-BL-D [↗](#)

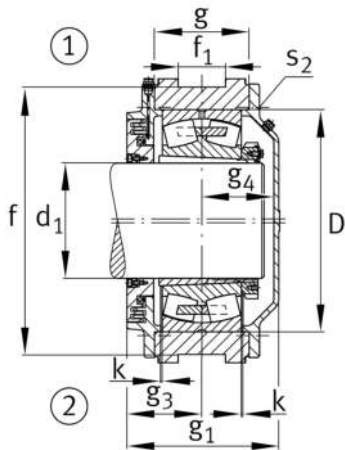
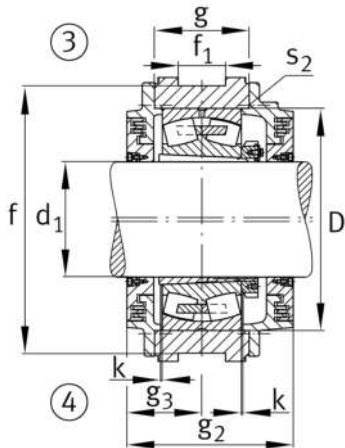
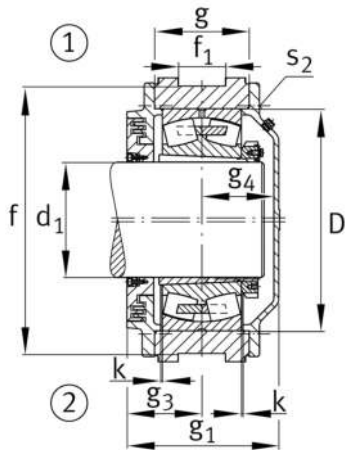
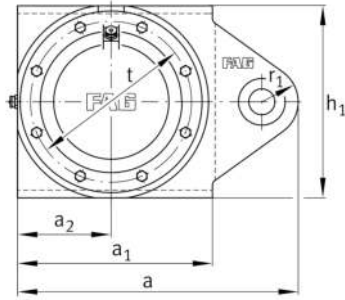
Soporte tensor

Información técnica



Medidas principales y datos de rendimiento

d	200 mm	Shaft diameter
d _c	216 mm	Chamfer diameter
h	540 mm	Height
a	940 mm	Length total

**Medidas**

a 1	520 mm	Length guidance groove
a 2	260 mm	Distance shaft axis
g 1	279 mm	Total width with lid
g 2	329 mm	Width total shaft
m	530 mm	Distance fork bore shaft center
r 1	150 mm	Fork radius
x	250 mm	Fork clearance
x 1	140 mm	Fork flange diameter
u	100 mm	Fork boring diameter
p	130 mm	Inner fork width
p 1	200 mm	Outer fork width
f	500 mm	Distance guidance grooves
f 1	90 mm	Width guidance groove
D	400 mm	Outside diameter bearing
k	4 mm	Axial displacement
g	175 mm	Anchura del cuerpo de soporte
g 3	147 mm	Locking collar width
g 4	122 mm	Distance bearing center cover
t	445 mm	Pitch circle diameter holes
s 2	M20	Agujero de fijación roscado
s 2	8	Number of screwing holes

Información adicional

23244..-K	Referencia rodamiento
H2344X(-HG)	Manguito de fijación