



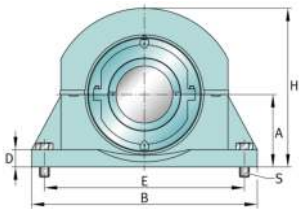
**FAG**

## S2BCH-140MM-FL [↗](#)

Soporte de apoyo

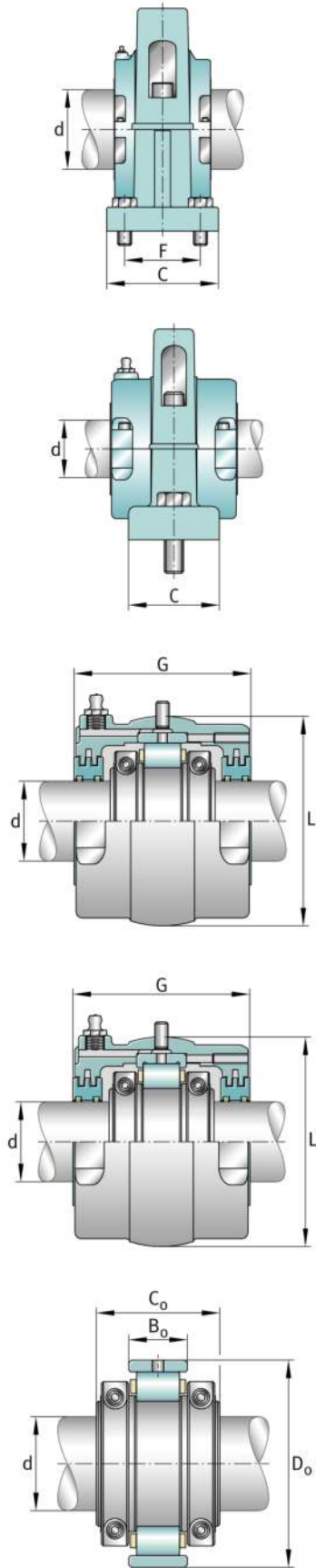
FAG split cylindrical roller bearing housing

### Información técnica



#### Medidas principales y datos de rendimiento

d	140 mm	Diámetro del eje
H	≈ 457,2 mm	Housing height
B	≈ 609,6 mm	Length base
≈m	145,149 kg	Peso



**Medidas**

	S2BCH-140MM-FL	Complete unit float
	S2BCH-140MM-HD	Complete unit held
	PH-20	Housing designation
A	≈ 203,2 mm	Center height
C	≈ 177,8 mm	Base width
D	≈ 50,8 mm	Base height
E <sub>min</sub>	≈ 533,4 mm	Base hole distance 1 min
E <sub>min</sub>	≈ 558,8 mm	Base hole distance 1 max
F	≈ 120,65 mm	Base hole distance 2
s	4	# of mounting bolts
s	≈ 25,4 mm	Mounting bolt diameter
	S2BC-140MM-FL	Cartridge float bearing
	S2BC-140MM-HD	Cartridge held bearing
	S2C-508	Cartridge
G	≈ 187,325 mm	Length through bore
L	≈ 323,85 mm	Outside diameter cartridge
	≈ 1,361 kg	Grease capacity
	≈ 62,732 kg	Cartridge weight
	S2B-140MM-FL	Bearing float
	S2B-140MM-HD	Bearing held
	≈ 26,444 kg	Bearing weight
	508 Grp	Bearing group
C <sub>r</sub>	≈ 594.697,6 N	Capacidad de carga dinámica, radial
C <sub>0r</sub>	≈ 879.720,992 N	Capacidad de carga estática, radial
C <sub>a</sub>	≈ 4.714,88 N	Capacidad de carga dinámica, axial
	1.630 1/min	Limiting speed
D <sub>0</sub>	≈ 273,05 mm	Outside diameter bearing
C <sub>0</sub>	≈ 117,475 mm	Width inner ring
B <sub>0</sub>	≈ 66,675 mm	Width outer ring



Ver detalles del producto en Medias

13.11.2025, 07:01:13 UTC

SCHAEFFLER

