



IMAGE
COMING SOON

FAG

SPA2220-H-W-Y-AL-D [↗](#)

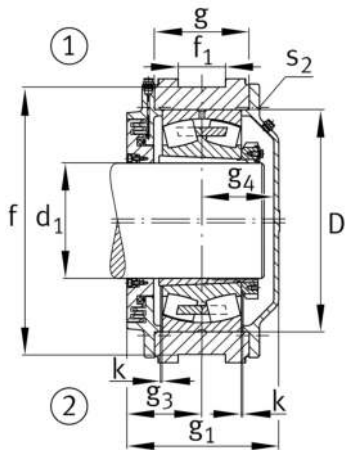
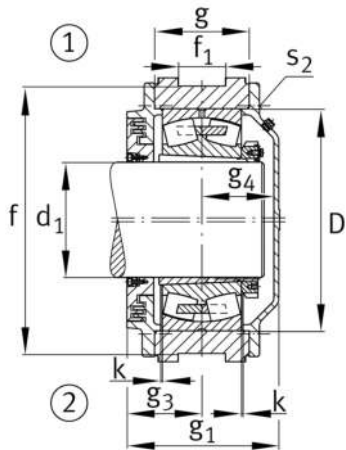
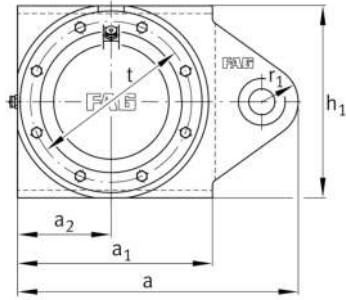
Soporte tensor

Información técnica



Medidas principales y datos de rendimiento

d	90 mm	Shaft diameter
d _c	98 mm	Chamfer diameter
h	250 mm	Height
a	342,5 mm	Length total

**Medidas**

a 1	235 mm	Length guidance groove
a 2	117,5 mm	Distance shaft axis
g 1	141 mm	Total width with lid
g 2	168 mm	Width total shaft
m	185 mm	Distance fork bore shaft center
r 1	40 mm	Fork radius
x	67,5 mm	Fork clearance
x 1	65 mm	Fork flange diameter
u	35 mm	Fork boring diameter
p	36 mm	Inner fork width
p 1	70 mm	Outer fork width
f	220 mm	Distance guidance grooves
f 1	40 mm	Width guidance groove
D	180 mm	Outside diameter bearing
k	2,5 mm	Axial displacement
g	65 mm	Anchura del cuerpo de soporte
g 3	78 mm	Locking collar width
g 4	57 mm	Distance bearing center cover
t	205 mm	Pitch circle diameter holes
s 2	M8	Agujero de fijación roscado
s 2	6	Number of screwing holes

Información adicional

22220..-K	Referencia rodamiento
H320	Manguito de fijación