



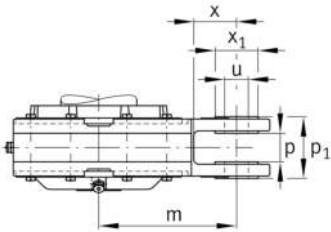
IMAGE  
COMING SOON

**FAG**

## SPA3252-H-W-T-AL-D [↗](#)

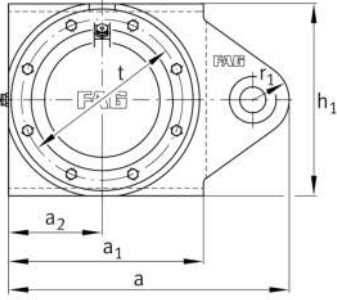
Soporte tensor

### Información técnica



#### Medidas principales y datos de rendimiento

d	240 mm	Shaft diameter
d <sub>c</sub>	256 mm	Chamfer diameter
h	610 mm	Height
a	1.063 mm	Length total

**Medidas**

a 1	596 mm	Length guidance groove
a 2	298 mm	Distance shaft axis
g 1	330 mm	Total width with lid
g 2	370 mm	Width total shaft
m	615 mm	Distance fork bore shaft center
r 1	150 mm	Fork radius
x	300 mm	Fork clearance
x 1	140 mm	Fork flange diameter
u	100 mm	Fork boring diameter
p	173 mm	Inner fork width
p 1	240 mm	Outer fork width
f	570 mm	Distance guidance grooves
f 1	103 mm	Width guidance groove
D	480 mm	Outside diameter bearing
k	3 mm	Axial displacement
g	205 mm	Anchura del cuerpo de soporte
g 3	170 mm	Locking collar width
g 4	148 mm	Distance bearing center cover
t	535 mm	Pitch circle diameter holes
s 2	M20	Agujero de fijación roscado
s 2	8	Number of screwing holes

**Información adicional**

23252..-K	Referencia rodamiento
H2352X(-HG)	Manguito de fijación

