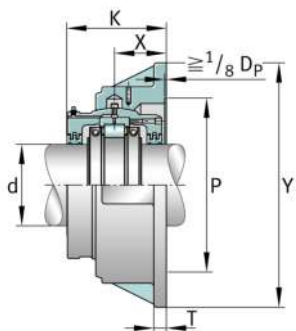
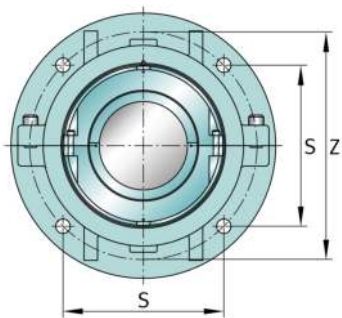


**FAG****S1BCF-1400-HD**

Soporte de apoyo

Soporte-bridá

Información técnica

**Medidas principales y datos de rendimiento**

d	≈ 355,6 mm	Shaft diameter
Y	≈ 850,9 mm	Flange outside diameter
K	≈ 276,225 mm	Width
≈m	371,945 kg	Peso

Medidas

	S1BCF-1400-HD	Complete unit held
	S1BCF-1400-FL	Complete unit float
	FH-19	Housing designation
X	≈ 139,7 mm	Bearing centerline location
Z	≈ 736,6 mm	Bolt circle diameter
S	≈ 520,7 mm	Bolt hole distance
T	≈ 41,275 mm	Thickness of flange
P	≈ 609,6 mm	Pilot counterbore diameter
S	4	# of Mounting Bolts
S	≈ 38,1 mm	Mounting bolt diameter