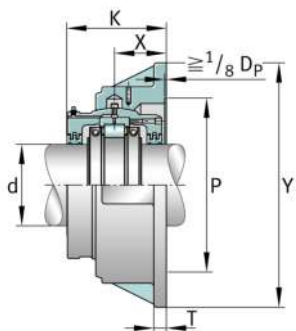
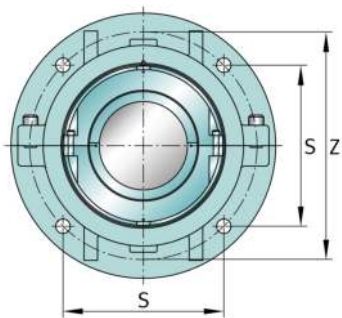


**FAG****S1BCF-1115-HD**

Soporte de apoyo

Soporte-brid

## Información técnica

**Medidas principales y datos de rendimiento**

d	≈ 303,212 mm	Shaft diameter
Y	≈ 711,2 mm	Flange outside diameter
K	≈ 257,175 mm	Width
≈m	291,206 kg	Peso

**Medidas**

	S1BCF-1115-HD	Complete unit held
	S1BCF-1115-FL	Complete unit float
	FH-17	Housing designation
X	≈ 133,35 mm	Bearing centerline location
Z	≈ 625,475 mm	Bolt circle diameter
S	≈ 442,912 mm	Bolt hole distance
T	≈ 38,1 mm	Thickness of flange
P	≈ 539,75 mm	Pilot counterbore diameter
S	4	# of Mounting Bolts
S	≈ 31,75 mm	Mounting bolt diameter