



**FAG**

**SPA3144-H-W-Y-AF-D**

Soporte tensor



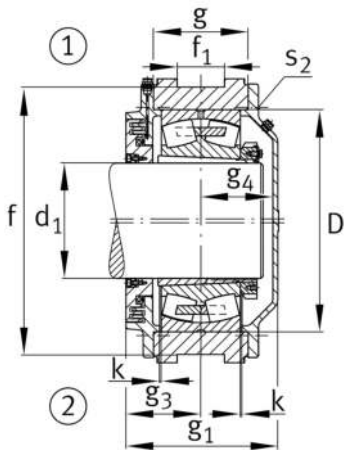
IMAGE  
COMING SOON

Información técnica



**Medidas principales y datos de rendimiento**

d	200 mm	Shaft diameter
d <sub>c</sub>	216 mm	Chamfer diameter
h	510 mm	Height
a	885 mm	Length total
≈m	243 kg	Peso

**Medidas**

a 1	470 mm	Length guidance groove
a 2	235 mm	Distance shaft axis
g 1	252 mm	Total width with lid
g 2	291 mm	Width total shaft
m	530 mm	Distance fork bore shaft center
r 1	120 mm	Fork radius
x	260 mm	Fork clearance
x 1	160 mm	Fork flange diameter
u	100 mm	Fork boring diameter
p	74 mm	Inner fork width
p 1	144 mm	Outer fork width
f	480 mm	Distance guidance grooves
f 1	105 mm	Width guidance groove
D	370 mm	Outside diameter bearing
k	4 mm	Axial displacement
g	150 mm	Anchura del cuerpo de soporte
g 3	134 mm	Locking collar width
g 4	110 mm	Distance bearing center cover
t	420 mm	Pitch circle diameter holes
s 2	M16	Agujero de fijación roscado
s 2	8	Number of screwing holes

**Información adicional**

23144..-K	Referencia rodamiento
H3144X(-HG)	Manguito de fijación