



IMAGE
COMING SOON

FAG

SPA3132-H-W-Y-AF-D [↗](#)

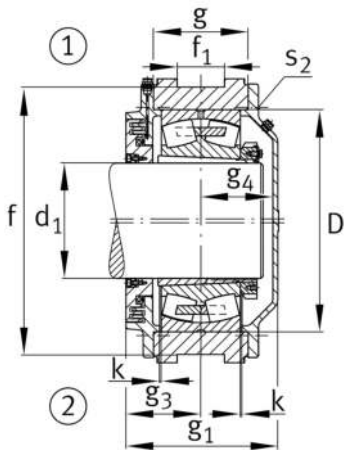
Soporte tensor

Información técnica



Medidas principales y datos de rendimiento

d	140 mm	Shaft diameter
d _c	152 mm	Chamfer diameter
h	370 mm	Height
a	625 mm	Length total

**Medidas**

a 1	370 mm	Length guidance groove
a 2	185 mm	Distance shaft axis
g 1	216 mm	Total width with lid
g 2	229 mm	Width total shaft
m	350 mm	Distance fork bore shaft center
r 1	90 mm	Fork radius
x	160 mm	Fork clearance
x 1	100 mm	Fork flange diameter
u	60 mm	Fork boring diameter
p	62 mm	Inner fork width
p 1	132 mm	Outer fork width
f	340 mm	Distance guidance grooves
f 1	75 mm	Width guidance groove
D	270 mm	Outside diameter bearing
k	3 mm	Axial displacement
g	116 mm	Anchura del cuerpo de soporte
g 3	108 mm	Locking collar width
g 4	100 mm	Distance bearing center cover
t	300 mm	Pitch circle diameter holes
s 2	M12	Agujero de fijación roscado
s 2	8	Number of screwing holes

Información adicional

23132..-K	Referencia rodamiento
H3132(-HG)	Manguito de fijación