

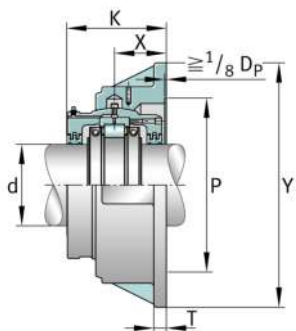
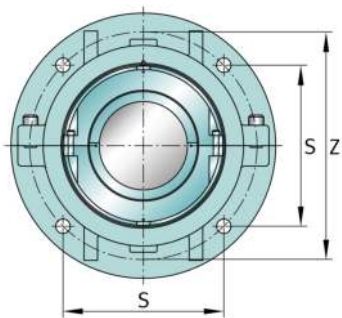
**FAG****S1BCF-607-FL**

Soporte de apoyo

Soporte-brida



## Información técnica

**Medidas principales y datos de rendimiento**

d	≈ 163,512 mm	Shaft diameter
Y	≈ 495,3 mm	Flange outside diameter
K	≈ 201,612 mm	Width
≈m	109,769 kg	Peso

**Medidas**

S1BCF-607-HD	Complete unit held	
S1BCF-607-FL	Complete unit float	
FH-11	Housing designation	
X	≈ 104,775 mm	Bearing centerline location
Z	≈ 425,45 mm	Bolt circle diameter
S	≈ 301,625 mm	Bolt hole distance
T	≈ 25,4 mm	Thickness of flange
P	≈ 352,425 mm	Pilot counterbore diameter
S	4	# of Mounting Bolts
S	≈ 25,4 mm	Mounting bolt diameter