



IMAGE
COMING SOON

FAG

SPA3256-H-W-T-AF-D [↗](#)

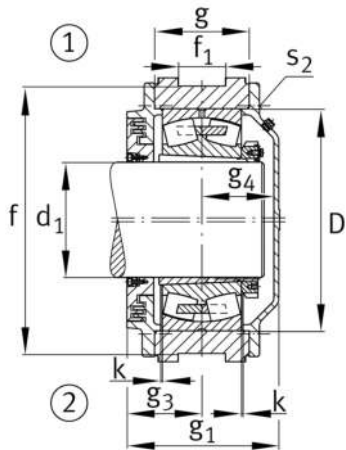
Soporte tensor

Información técnica



Medidas principales y datos de rendimiento

d	260 mm	Shaft diameter
d _c	280 mm	Chamfer diameter
h	650 mm	Height
a	1.095 mm	Length total

**Medidas**

a 1	630 mm	Length guidance groove
a 2	315 mm	Distance shaft axis
g 1	343 mm	Total width with lid
g 2	400 mm	Width total shaft
m	630 mm	Distance fork bore shaft center
r 1	150 mm	Fork radius
x	220 mm	Fork clearance
x 1	140 mm	Fork flange diameter
u	100 mm	Fork boring diameter
p	173 mm	Inner fork width
p 1	240 mm	Outer fork width
f	610 mm	Distance guidance grooves
f 1	123 mm	Width guidance groove
D	500 mm	Outside diameter bearing
k	4 mm	Axial displacement
g	206 mm	Anchura del cuerpo de soporte
g 3	180 mm	Locking collar width
g 4	151 mm	Distance bearing center cover
t	555 mm	Pitch circle diameter holes
s 2	M24	Agujero de fijación roscado
s 2	8	Number of screwing holes

Información adicional

23256..-K	Referencia rodamiento
H2356X(-HG)	Manguito de fijación