



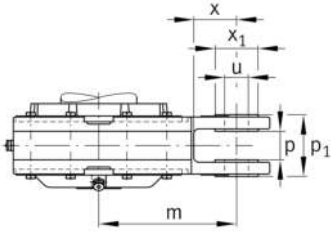
IMAGE  
COMING SOON

**FAG**

**SPA3038-H-W-T-AF-D** [↗](#)

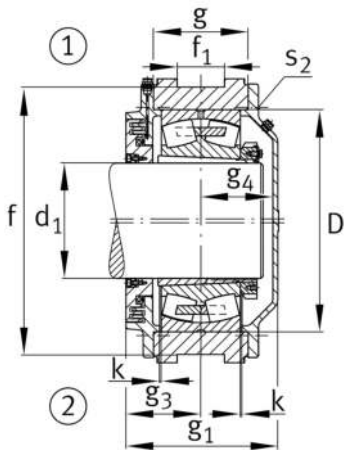
Soporte tensor

## Información técnica



### Medidas principales y datos de rendimiento

d	170 mm	Shaft diameter
d <sub>c</sub>	186 mm	Chamfer diameter
h	440 mm	Height
a	550 mm	Length total

**Medidas**

a 1	385 mm	Length guidance groove
a 2	190 mm	Distance shaft axis
g 1	181 mm	Total width with lid
g 2	211 mm	Width total shaft
m	290 mm	Distance fork bore shaft center
r 1	70 mm	Fork radius
x	90 mm	Fork clearance
x 1	90 mm	Fork flange diameter
u	50 mm	Fork boring diameter
p	60 mm	Inner fork width
p 1	150 mm	Outer fork width
f	400 mm	Distance guidance grooves
f 1	65 mm	Width guidance groove
D	290 mm	Outside diameter bearing
k	3 mm	Axial displacement
g	105 mm	Anchura del cuerpo de soporte
g 3	93 mm	Locking collar width
g 4	80 mm	Distance bearing center cover
t	325 mm	Pitch circle diameter holes
s 2	M16	Agujero de fijación roscado
s 2	8	Number of screwing holes
<b>Información adicional</b>		
23038..-K		Referencia rodamiento
H3038(-HG)		Manguito de fijación