



IMAGE
COMING SOON

FAG

SPA3034-H-W-T-AF-D [↗](#)

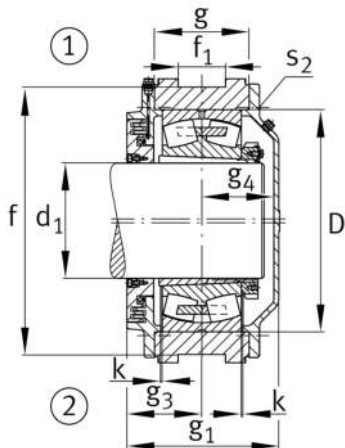
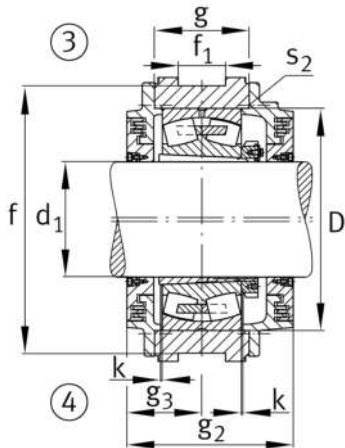
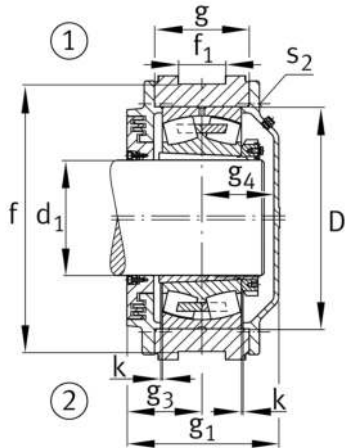
Soporte tensor

Información técnica



Medidas principales y datos de rendimiento

d	150 mm	Shaft diameter
d _c	166 mm	Chamfer diameter
h	360 mm	Height
a	492,5 mm	Length total

**Medidas**

a 1	325 mm	Length guidance groove
a 2	162,5 mm	Distance shaft axis
g 1	178 mm	Total width with lid
g 2	203 mm	Width total shaft
m	260 mm	Distance fork bore shaft center
r 1	70 mm	Fork radius
x	90 mm	Fork clearance
x 1	90 mm	Fork flange diameter
u	50 mm	Fork boring diameter
p	60 mm	Inner fork width
p 1	150 mm	Outer fork width
f	330 mm	Distance guidance grooves
f 1	65 mm	Width guidance groove
D	260 mm	Outside diameter bearing
k	2 mm	Axial displacement
g	102 mm	Anchura del cuerpo de soporte
g 3	89 mm	Locking collar width
g 4	81 mm	Distance bearing center cover
t	285 mm	Pitch circle diameter holes
s 2	M12	Agujero de fijación roscado
s 2	8	Number of screwing holes

Información adicional

23034..-K	Referencia rodamiento
H3034(-HG)	Manguito de fijación