



IMAGE  
COMING SOON

**FAG**

**SPA3040-H-W-Y-BF-D** [↗](#)

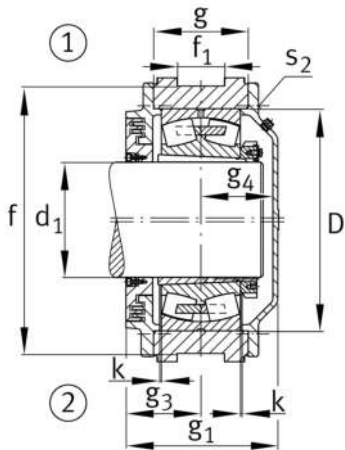
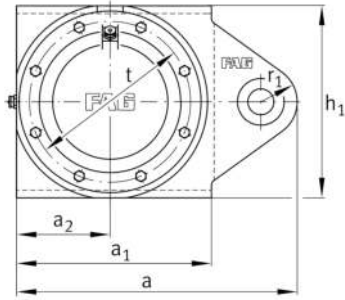
Soporte tensor

## Información técnica



### Medidas principales y datos de rendimiento

d	180 mm	Shaft diameter
d <sub>c</sub>	196 mm	Chamfer diameter
h	440 mm	Height
a	550 mm	Length total

**Medidas**

a 1	385 mm	Length guidance groove
a 2	190 mm	Distance shaft axis
g 1	201 mm	Total width with lid
g 2	241 mm	Width total shaft
m	290 mm	Distance fork bore shaft center
r 1	70 mm	Fork radius
x	90 mm	Fork clearance
x 1	90 mm	Fork flange diameter
u	50 mm	Fork boring diameter
p	60 mm	Inner fork width
p 1	150 mm	Outer fork width
f	400 mm	Distance guidance grooves
f 1	65 mm	Width guidance groove
D	310 mm	Outside diameter bearing
k	3 mm	Axial displacement
g	105 mm	Anchura del cuerpo de soporte
g 3	105,5 mm	Locking collar width
g 4	87,5 mm	Distance bearing center cover
t	340 mm	Pitch circle diameter holes
s 2	M16	Agujero de fijación roscado
s 2	8	Number of screwing holes

**Información adicional**

23040..-K	Referencia rodamiento
H3040(-HG)	Manguito de fijación