



IMAGE
COMING SOON

FAG

SPA2212-H-W-T-BF-D [↗](#)

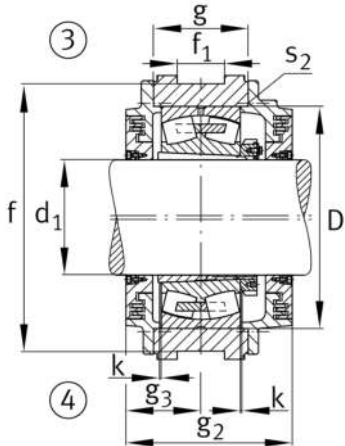
Soporte tensor

Información técnica



Medidas principales y datos de rendimiento

d	55 mm	Shaft diameter
d _c	61 mm	Chamfer diameter
h	165 mm	Height
a	237,5 mm	Length total

**Medidas**

a 1	165 mm	Length guidance groove
a 2	82,5 mm	Distance shaft axis
g 1	102,5 mm	Total width with lid
g 2	125 mm	Width total shaft
m	120 mm	Distance fork bore shaft center
r 1	35 mm	Fork radius
x	37,5 mm	Fork clearance
u	25 mm	Fork boring diameter
p	26 mm	Inner fork width
p 1	50 mm	Outer fork width
f	150 mm	Distance guidance grooves
f 1	35 mm	Width guidance groove
D	110 mm	Outside diameter bearing
k	2 mm	Axial displacement
g	55 mm	Anchura del cuerpo de soporte
g 3	57,5 mm	Locking collar width
g 4	40 mm	Distance bearing center cover
t	135 mm	Pitch circle diameter holes
s 2	M8	Agujero de fijación roscado
s 2	6	Number of screwing holes

Información adicional

22212...K	Referencia rodamiento
H312	Manguito de fijación