



IMAGE
COMING SOON

FAG

SPA3280-H-W-Y-BL-D [↗](#)

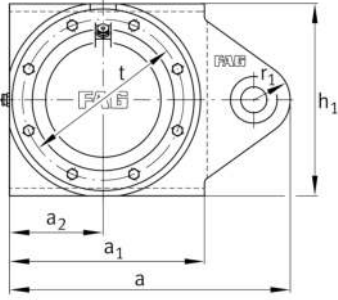
Soporte tensor

Información técnica



Medidas principales y datos de rendimiento

d	380 mm	Shaft diameter
d _c	404 mm	Chamfer diameter
h	960 mm	Height
a	1.460 mm	Length total



Medidas

a 1	880 mm	Length guidance groove
a 2	440 mm	Distance shaft axis
g 1	504 mm	Total width with lid
g 2	569 mm	Width total shaft
m	820 mm	Distance fork bore shaft center
r 1	200 mm	Fork radius
x	350 mm	Fork clearance
x 1	170 mm	Fork flange diameter
u	110 mm	Fork boring diameter
p	180 mm	Inner fork width
p 1	300 mm	Outer fork width
f	900 mm	Distance guidance grooves
f 1	190 mm	Width guidance groove
D	720 mm	Outside diameter bearing
k	5 mm	Axial displacement
g	300 mm	Anchura del cuerpo de soporte
g 3	252 mm	Locking collar width
g 4	237 mm	Distance bearing center cover
t	790 mm	Pitch circle diameter holes
s 2	M30	Agujero de fijación roscado
s 2	8	Number of screwing holes

Información adicional

23280..-K	Referencia rodamiento
H3280-HG	Manguito de fijación

