



IMAGE
COMING SOON

FAG

SPA2224-H-W-T-AF-D [↗](#)

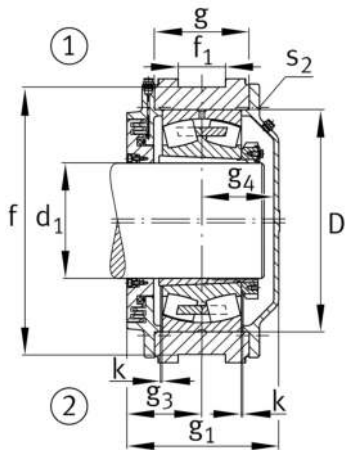
Soporte tensor

Información técnica



Medidas principales y datos de rendimiento

d	110 mm	Shaft diameter
d _c	118 mm	Chamfer diameter
h	290 mm	Height
a	395 mm	Length total

**Medidas**

a 1	280 mm	Length guidance groove
a 2	140 mm	Distance shaft axis
g 1	143 mm	Total width with lid
g 2	168 mm	Width total shaft
m	210 mm	Distance fork bore shaft center
r 1	45 mm	Fork radius
x	70 mm	Fork clearance
x 1	70 mm	Fork flange diameter
u	40 mm	Fork boring diameter
p	40 mm	Inner fork width
p 1	76 mm	Outer fork width
f	260 mm	Distance guidance grooves
f 1	53 mm	Width guidance groove
D	215 mm	Outside diameter bearing
k	2,5 mm	Axial displacement
g	77 mm	Anchura del cuerpo de soporte
g 3	74 mm	Locking collar width
g 4	61 mm	Distance bearing center cover
t	245 mm	Pitch circle diameter holes
s 2	M12	Agujero de fijación roscado
s 2	6	Number of screwing holes

Información adicional

22224..-K	Referencia rodamiento
H3124	Manguito de fijación