



IMAGE
COMING SOON

FAG

SPA3134-H-W-T-AF-D [↗](#)

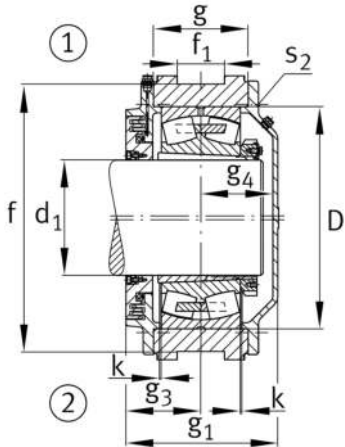
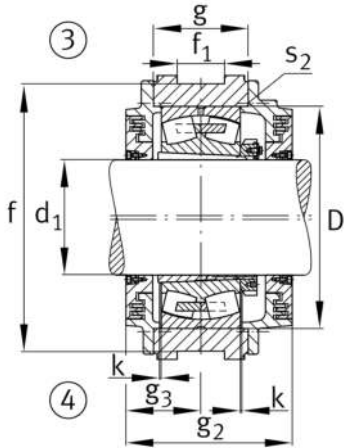
Soporte tensor

Información técnica



Medidas principales y datos de rendimiento

d	150 mm	Shaft diameter
d _c	166 mm	Chamfer diameter
h	400 mm	Height
a	672,5 mm	Length total



Medidas

a 1	375 mm	Length guidance groove
a 2	187,5 mm	Distance shaft axis
g 1	215 mm	Total width with lid
g 2	250 mm	Width total shaft
m	395 mm	Distance fork bore shaft center
r 1	90 mm	Fork radius
x	180 mm	Fork clearance
x 1	100 mm	Fork flange diameter
u	60 mm	Fork boring diameter
p	62 mm	Inner fork width
p 1	132 mm	Outer fork width
f	370 mm	Distance guidance grooves
f 1	65 mm	Width guidance groove
D	280 mm	Outside diameter bearing
k	3 mm	Axial displacement
g	120 mm	Anchura del cuerpo de soporte
g 3	115 mm	Locking collar width
g 4	92 mm	Distance bearing center cover
t	330 mm	Pitch circle diameter holes
s 2	M12	Agujero de fijación roscado
s 2	8	Number of screwing holes

Información adicional

23134..-K	Referencia rodamiento
H3134(-HG)	Manguito de fijación