



IMAGE
COMING SOON

FAG

SPA3164-H-W-T-BF-D [↗](#)

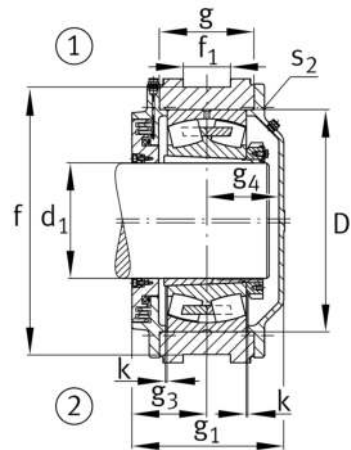
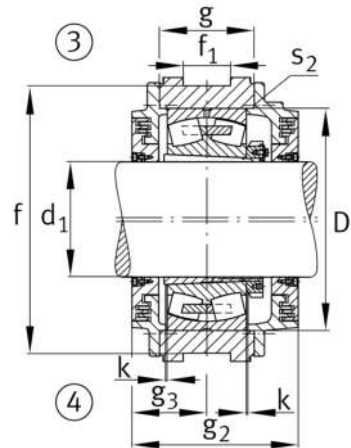
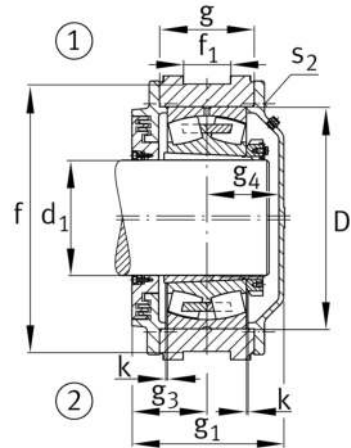
Soporte tensor

Información técnica



Medidas principales y datos de rendimiento

d	300 mm	Shaft diameter
d _c	320 mm	Chamfer diameter
h	670 mm	Height
a	1.140 mm	Length total



Medidas

a 1	665 mm	Length guidance groove
a 2	340 mm	Distance shaft axis
g 1	359 mm	Total width with lid
g 2	412 mm	Width total shaft
m	650 mm	Distance fork bore shaft center
r 1	150 mm	Fork radius
x	310 mm	Fork clearance
x 1	175 mm	Fork flange diameter
u	100 mm	Fork boring diameter
p	170 mm	Inner fork width
p 1	240 mm	Outer fork width
f	630 mm	Distance guidance grooves
f 1	123 mm	Width guidance groove
D	540 mm	Outside diameter bearing
k	4 mm	Axial displacement
g	210 mm	Anchura del cuerpo de soporte
g 3	186 mm	Locking collar width
g 4	161 mm	Distance bearing center cover
t	590 mm	Pitch circle diameter holes
s 2	M24	Agujero de fijación roscado
s 2	8	Number of screwing holes

Información adicional

23164..-K	Referencia rodamiento
H3164-HG	Manguito de fijación