



IMAGE
COMING SOON

FAG

SPA3152-H-W-Y-BF-D [↗](#)

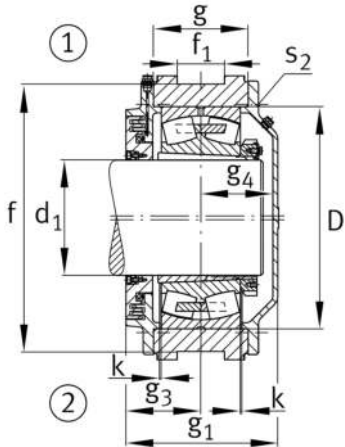
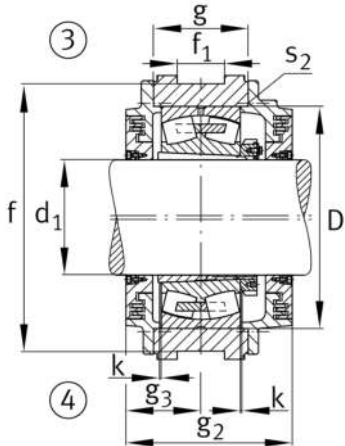
Soporte tensor

Información técnica



Medidas principales y datos de rendimiento

d	240 mm	Shaft diameter
d _c	256 mm	Chamfer diameter
h	570 mm	Height
a	990 mm	Length total



Medidas

a 1	550 mm	Length guidance groove
a 2	275 mm	Distance shaft axis
g 1	291 mm	Total width with lid
g 2	336 mm	Width total shaft
m	565 mm	Distance fork bore shaft center
r 1	150 mm	Fork radius
x	270 mm	Fork clearance
x 1	160 mm	Fork flange diameter
u	100 mm	Fork boring diameter
p	135 mm	Inner fork width
p 1	225 mm	Outer fork width
f	540 mm	Distance guidance grooves
f 1	80 mm	Width guidance groove
D	440 mm	Outside diameter bearing
k	4 mm	Axial displacement
g	175 mm	Anchura del cuerpo de soporte
g 3	150,5 mm	Locking collar width
g 4	132 mm	Distance bearing center cover
t	490 mm	Pitch circle diameter holes
s 2	M20	Agujero de fijación roscado
s 2	8	Number of screwing holes

Información adicional

23152..-K	Referencia rodamiento
H3152X(-HG)	Manguito de fijación