



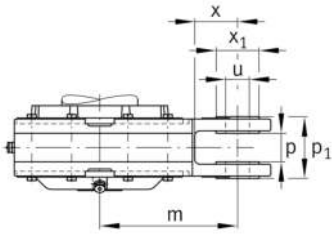
IMAGE  
COMING SOON

**FAG**

**SPA2222-H-W-Y-BF-D** [↗](#)

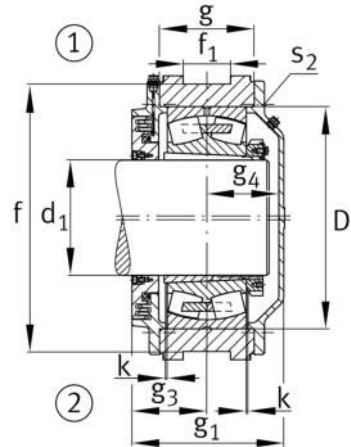
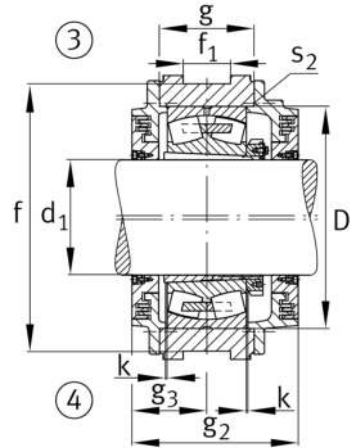
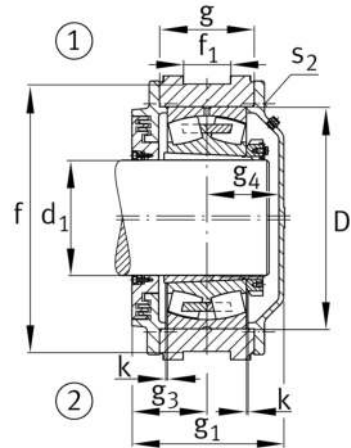
Soporte tensor

## Información técnica



### Medidas principales y datos de rendimiento

d	100 mm	Shaft diameter
d <sub>c</sub>	108 mm	Chamfer diameter
h	270 mm	Height
a	380 mm	Length total



**Medidas**

a 1	265 mm	Length guidance groove
a 2	135 mm	Distance shaft axis
g 1	149,2 mm	Total width with lid
g 2	177,2 mm	Width total shaft
m	200 mm	Distance fork bore shaft center
r 1	45 mm	Fork radius
x	70 mm	Fork clearance
x 1	70 mm	Fork flange diameter
u	40 mm	Fork boring diameter
p	40 mm	Inner fork width
p 1	76 mm	Outer fork width
f	240 mm	Distance guidance grooves
f 1	53 mm	Width guidance groove
D	200 mm	Outside diameter bearing
k	2,5 mm	Axial displacement
g	73 mm	Anchura del cuerpo de soporte
g 3	82,6 mm	Locking collar width
g 4	60,6 mm	Distance bearing center cover
t	230 mm	Pitch circle diameter holes
s 2	M12	Agujero de fijación roscado
s 2	6	Number of screwing holes

**Información adicional**

22222..-K	Referencia rodamiento
H322	Manguito de fijación