



IMAGE  
COMING SOON

**FAG**

**SPA2216-H-W-T-AF-D** [↗](#)

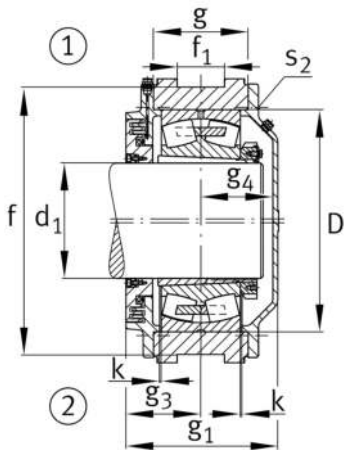
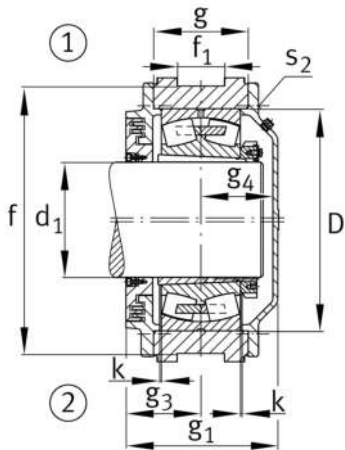
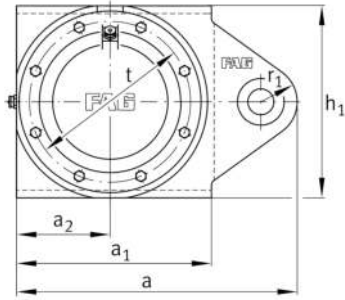
Soporte tensor

## Información técnica



### Medidas principales y datos de rendimiento

d	70 mm	Shaft diameter
d <sub>c</sub>	76 mm	Chamfer diameter
h	200 mm	Height
a	285 mm	Length total

**Medidas**

a 1	180 mm	Length guidance groove
a 2	90 mm	Distance shaft axis
g 1	125 mm	Total width with lid
g 2	138 mm	Width total shaft
m	155 mm	Distance fork bore shaft center
r 1	40 mm	Fork radius
x	65 mm	Fork clearance
x 1	60 mm	Fork flange diameter
u	30 mm	Fork boring diameter
p	30 mm	Inner fork width
p 1	66 mm	Outer fork width
f	175 mm	Distance guidance grooves
f 1	53 mm	Width guidance groove
D	140 mm	Outside diameter bearing
k	2 mm	Axial displacement
g	78 mm	Anchura del cuerpo de soporte
g 3	69 mm	Locking collar width
g 4	49 mm	Distance bearing center cover
t	155 mm	Pitch circle diameter holes
s 2	M8	Agujero de fijación roscado
s 2	8	Number of screwing holes

**Información adicional**

22216..-K	Referencia rodamiento
H316	Manguito de fijación